



Part Number:

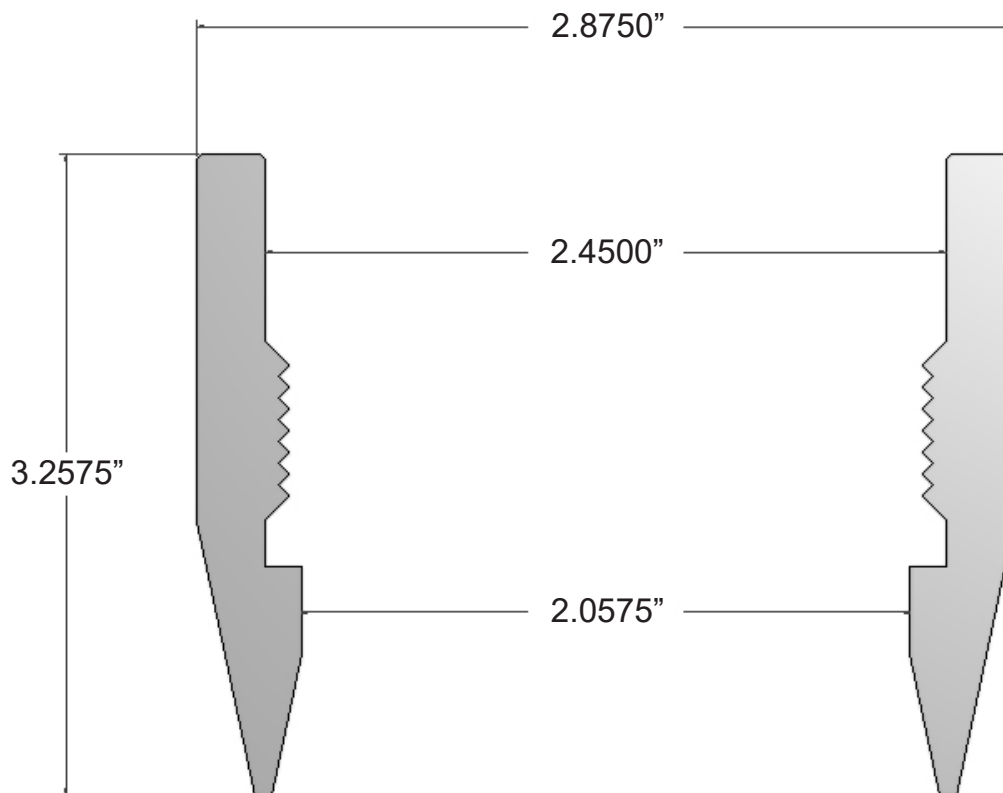
M5000210TUFF

Description:

TUFF DRIVE SHOE

2" ROTARY END, 11.5 V. THREAD

2.875" O.D.



Make a Difference.

1494 Bell Mill Road, P.O. Box 456, Tillsonburg, Ontario, Canada, N4G 4J1

P.O. Box 2663, Buffalo, New York, U.S.A., 14240-2663

Phone: 519.688.0500 • Fax: 519.688.0563

Toll Free: 1-800-387-9355 • www.wellmaster.ca

