



Part Number:

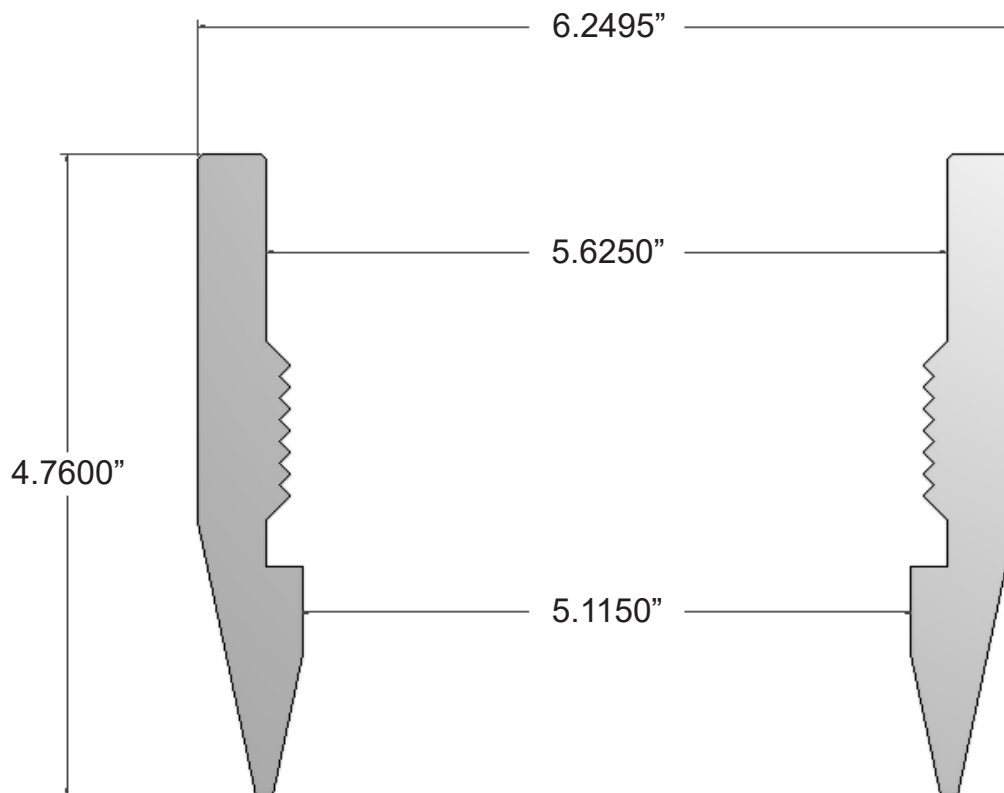
**M5009117TUFF**

Description:

**TUFF DRIVE SHOE**

**5 9/16" X 5" ROTARY END, 8 V. THREAD**

**6.296" O.D.**



**Make a Difference.**

1494 Bell Mill Road, P.O. Box 456, Tillsonburg, Ontario, Canada, N4G 4J1

P.O. Box 2663, Buffalo, New York, U.S.A., 14240-2663

Phone: 519.688.0500 • Fax: 519.688.0563

Toll Free: 1-800-387-9355 • [www.wellmaster.ca](http://www.wellmaster.ca)

